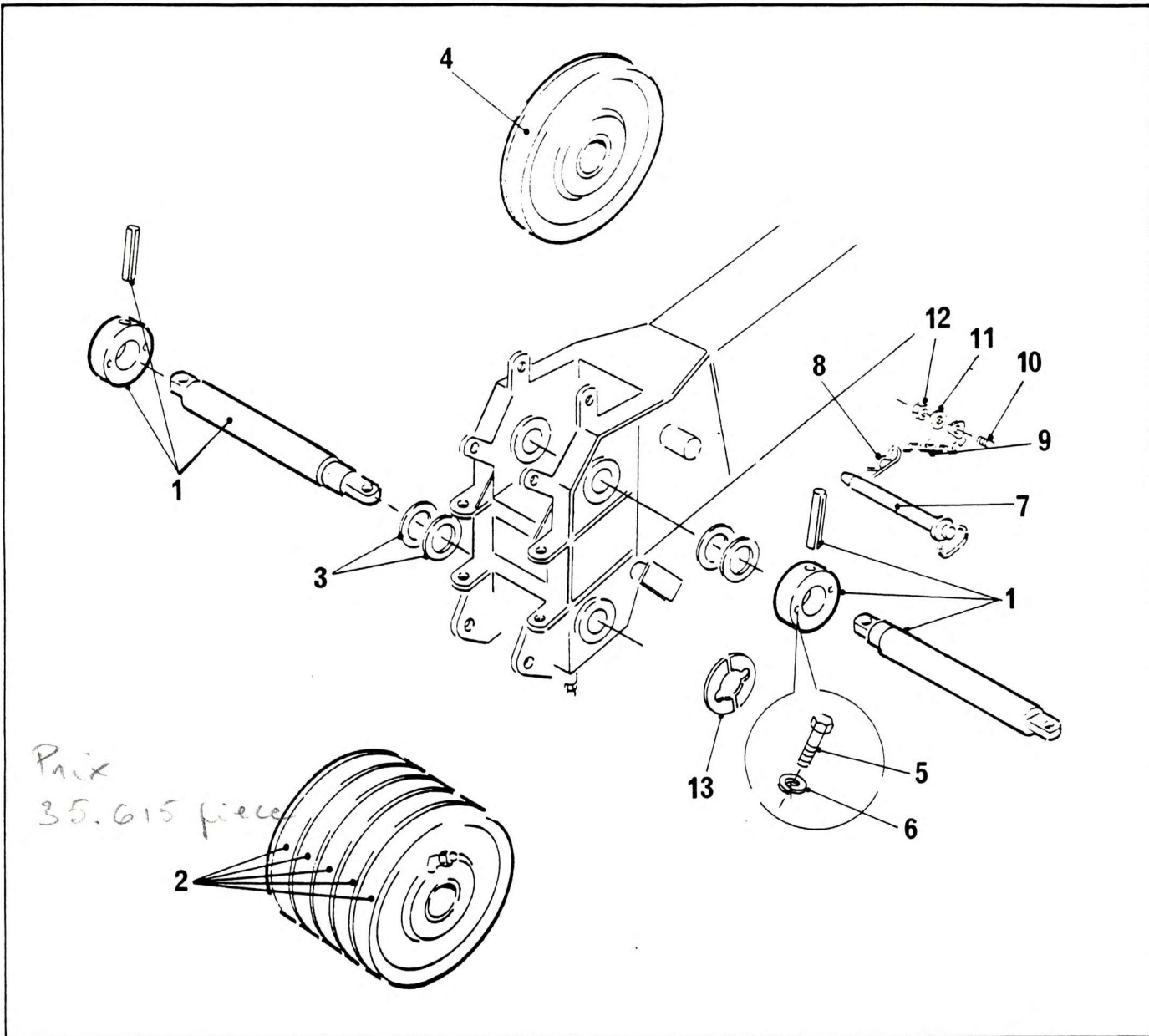


BOOM NOSE INSTALL (ALUMINIUM SHEAVE)



NO.	PART NO.	QTY.	DESCRIPTION	NO.	PART NO.	QTY.	DESCRIPTION
1 +	6-810-990243	2	Shaft Assy Boom Head	12	7-660-141600	3	Nut Self Lock 1/4" UNC
2	6-718-990099	5	Sheave Assy 310 Dia. Bog 14 Dia. Rope	13	8599556	2	Shim Split
3	8592057	12	Washer Thrust	+ See further breakdown in this group			
4	6-718-990098	1	Sheave Assy 310 Dia. Bog 14 Dia. Rope				
5	7092102	4	Bolt Hex Head M12 x 50 Long				
6	7067917	4	Washer Shakeproof M12				
7	7-689-000023	4	Pin Lock Hair Pin				
8	7-689-000053	3	Safety Pin				
9	8-751-000200	3	M3 Galvanised Chain				
10	7-866-142140	3	Weld Stud 1/4"-20 x 3/8" Long				
11	7-950-140141	3	Washer Flat 1/4" Dia.				

6-718-990100  
Issue No. 03